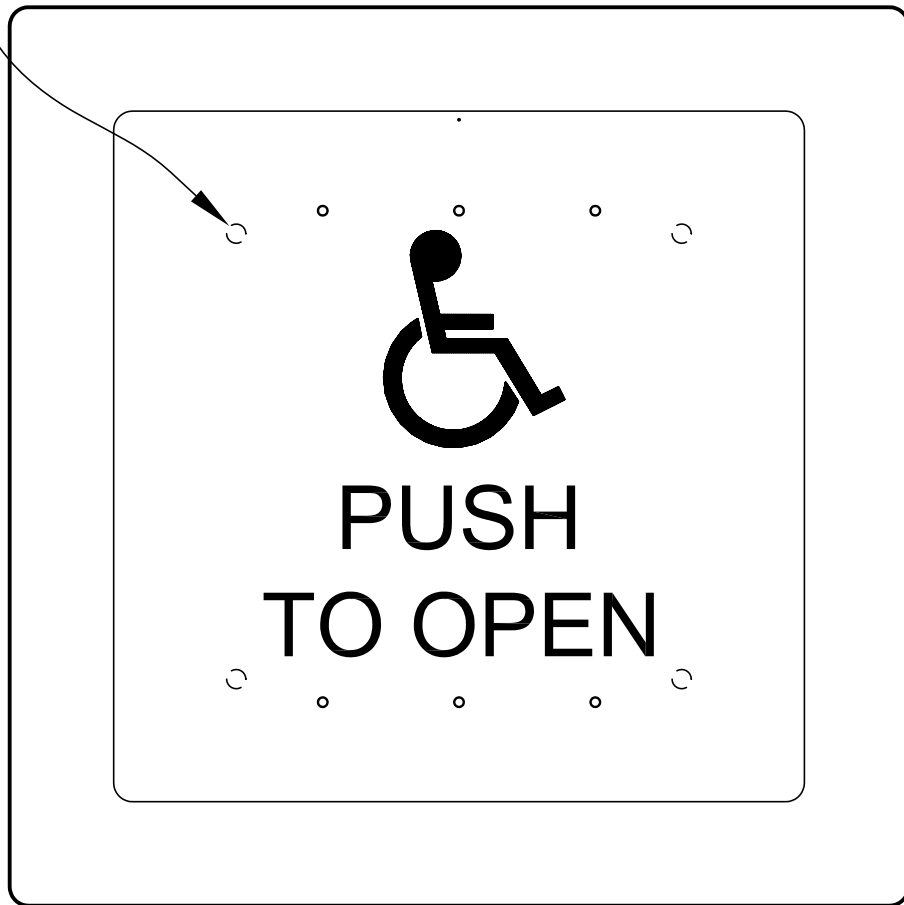
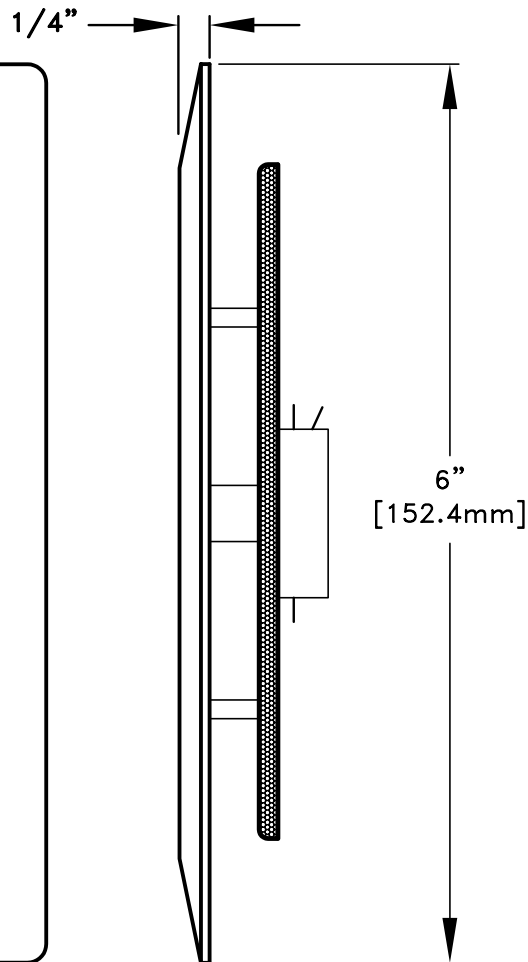


OPTIONAL HOLE PATTERN FOR MOUNTING  
TO '4S' 4" SQUARE JUNCTION BOX.



**FRONT**



**SIDE**

CONFIGURATIONS:	LOW VOLTAGE (STD) OR RADIO CONTROLLED (SUFFIX -RC)
MATERIALS/FINISHES:	STAINLESS STEEL: SATIN (STANDARD) OR MIRROR POLISHED BRASS: MIRROR POLISHED, OIL RUBBED OR SATIN ALUMINUM: BLUE ANODIZED
CONSTRUCTION:	BACK PLATE MOUNTS TO SINGLE OR DOUBLE-GANG BOX OPTIONAL CORNER HOLES FOR '4S' BOX MOUNTING NOISE DAMPENING RUBBER CUSHIONING WASHERS
COLOR OF LOGO/LETTERS:	BLUE (with logo), BLACK (without logo), OTHERS AVAILABLE
SWITCH:	UL/CSA LISTED SPDT (DPDT AVAILABLE)

MATERIAL: <b>STAINLESS STEEL</b>			FINISH: <b>#4 SATIN</b>			SIZE: <b>18 GA (0.047)</b>		
DIMENSIONAL TOLERANCES UNLESS NOTED OTHERWISE			TITLE <b>PUSH PLATE</b> <b>6" SQUARE - PTO &amp; LOGO</b>			Manufactured for: CareProdx.com 11807 Allisonville Road, Suite 161 Fishers, IN 46038		
FRAC.	DEC.	ANG.						
±1/32"	±0.031"	±1°	SCALE <b>NTS</b>			DRAWING NUMBER <b>10352 CE-645</b>		
NEXT ASSY. <b>645-BOM</b>			DRAWN: <b>PSC</b> DATE <b>04/21/03</b>			ISSUE <b>1</b>		
			CHECKED: <b>RDC</b> DATE <b>04/21/03</b>			<b>A</b>		
			APPROVED: <b>RDC</b> DATE <b>04/21/03</b>					